

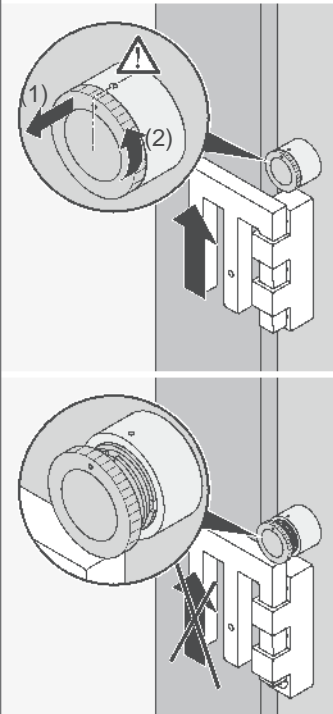
SE

Turned together

=

Turned apart

= LATCHED



# EM3 PLUS

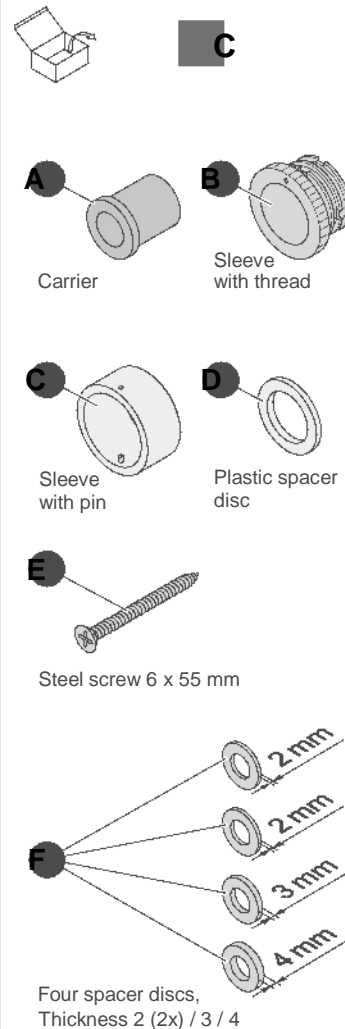
## Two-hand lock as an accessory to prevent prying

NOTE: First please install the anti-lift protection EM3 first, and then attach the two-hand lock EM3plus.

**scheffinger**

Thorsten Russ  
An der Herrenwiese 3 D-60529 Frankfurt am Main  
Germany  
Tel. +49 (69) 66 123 679

[www.scheffinger.de](http://www.scheffinger.de)




## PREREQUISITES for mounting

- In case of plastic frames, it has to be found out first whether the frame has provided with a metal insert. A metal insert is imperatively needed as a base for anchoring the screws !
- The wing has to have a of at least 15 mm.
- For the attachment to the frame, a free frame area of at least 22 mm is required.

## SUITABIL

Suitable for installation on wood, plastic and aluminium frames.

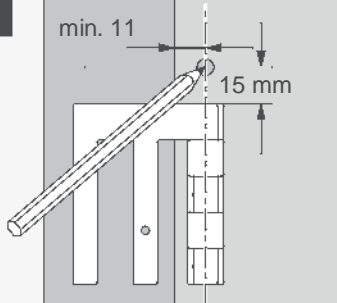
 *Access of the entire objects from the outside has to be possible by means of a key.*

*The manufacturer shall not be held liable for any potential injury and/or damage, which may occur during the installation and/or incorrect handling !*

For errors and misprints no liability is

I

**1**

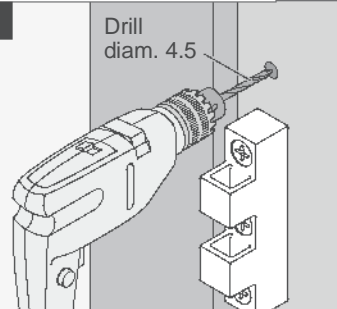


**Mark the borehole**

The centre of the borehole should be 15 mm away from the extension edge of the EM3 sleeve, and should have a distance of at least 11 mm to the window sash / door

**!** *Installation on the band / hinge side: Before installing, please check the pivot radius of the window sash / door wing in order to determine the free available sleeve*

**2**



**Predrilling**

*Installation to frame made of*

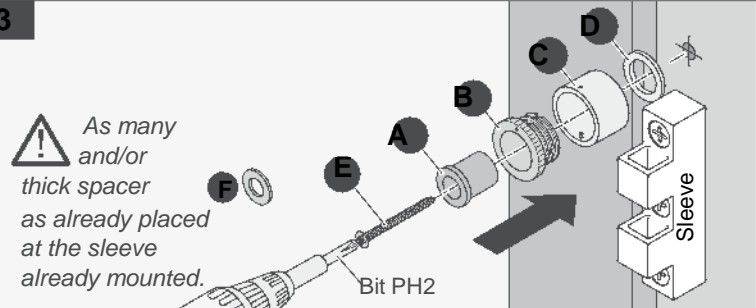
... wood	4.5 mm wood drill
... plastic with Metal insert	4.5 mm metal drill
... aluminium	4.5 mm metal drill

*Installation to windowsill or to brickwork:*

Predrill for suitable dowel (dowel not included in the scope of delivery).

**!** *Please check in advance the local conditions of the length of the screw and the depth of the borehole in order to avoid the drill / screw from penetrating the outside frame and/or rear side of the frame. If necessary, use a drilling stop.*

**3**



**!** *As many and/or thick spacer as already placed at the sleeve already mounted.*

Bit PH2

**Assembly**

- Threaded sleeve (xB) insert / screw into the sleeve with pin (xC)
- Pass through carrier sleeve
- Pass screw (x) carrier sleeve (xA)
- Push the plastic spacer disc (xD) over the screw tip and place over the carrier sleeve (xA)
- Slowly turn in screw using PH2 Philips bit driller.